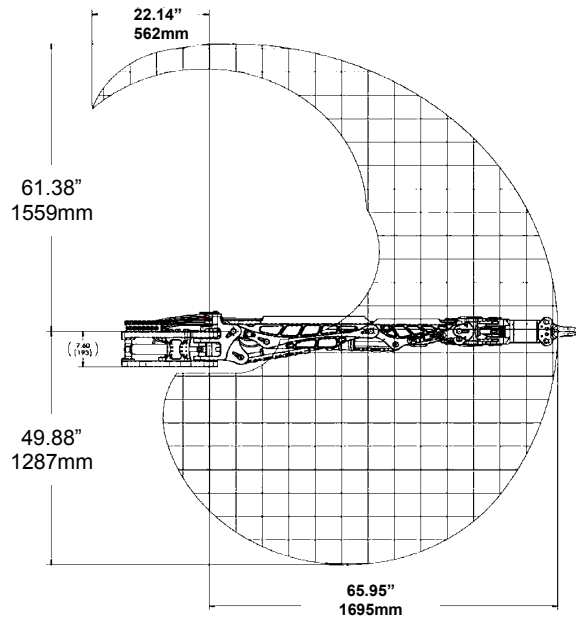


CATEGORY: Manipulator

Schilling Atlas

Engineered Tooling Solutions **FAST**



The Schilling Atlas is a seven function, rate-controlled, heavy-lift grabber arm. The grabber arm can be used to grasp and lift heavy objects or to anchor the ROV by clamping the gripper around a structural member at the work site. Constructed primarily of 6061-T6 aluminum, the Atlas provides the power, performance, and reliability required for demanding subsea work.

The Atlas is used for tasks such as connecting ROV to assets to provide a stable platform for grabbing hold of a structure to allow the vehicle to hold position. With seven functions and a high lift-to-weight ratio, it is the premium option over a five function grabber.

TMT can configure the tool to suit your requirements.

Features:

- Corrosion resistant material
- Large operating envelope
- Dexterous grabber
- Long service life
- Field proven
- High lift to weight ratio

Specifications:

- | | |
|---------------------------|---------|
| • Weight in Air | 73kg |
| • Weight in Seawater | 50kg |
| • Lift at Full Extension | 250kg |
| • Max. Lift, nominal | 500kg |
| • Max. Gripper Opening | 198mm |
| • Grip Force, nominal | 4,448N |
| • Wrist Torque | 205Nm |
| • Wrist Rotate Continuous | 6-35rpm |
| • Max. Reach | 1,664mm |
| • Depth Rating | 6500msw |