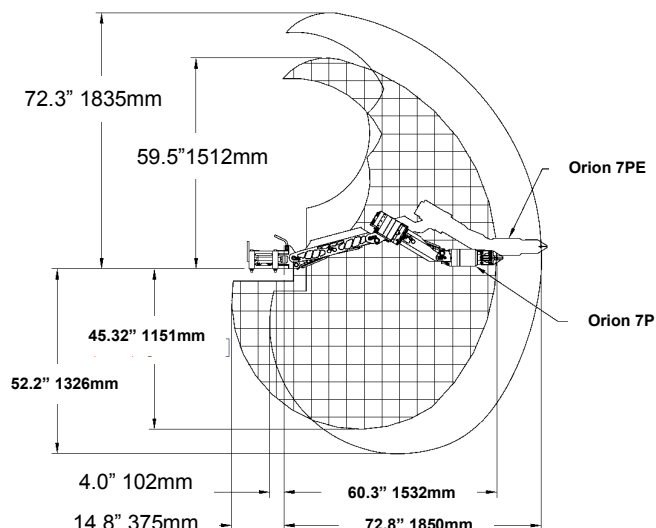


CATEGORY: Manipulator

Schilling Orion

Engineered Tooling Solutions **FAST**



The Schilling Orion is a seven function dexterous arm, available as either a rate or position controlled manipulator. The Orion is the choice for compact size, light weight, and excellent payload capacity is a requirement. The arm's structural segments are fabricated from hard-anodized extruded aluminum for strength and corrosion resistance.

Both the position-controlled and rate-controlled models have a standard depth rating of 6,500msw, allowing them to be mounted on a wide range of ROVs. Ideally suited for light to medium class ROVs

TMT can configure the tool to suit your requirements.

Features:

- Corrosion resistant material
- Large operating envelope
- Dexterous grabber
- Long service life
- Field proven
- High lift to weight ratio

Specifications 7P/R:

- | | |
|---------------------------|----------|
| • Weight in Air | 54kg |
| • Weight in Seawater | 38kg |
| • Lift at Full Extension | 68kg |
| • Max. Lift, nominal | 250kg |
| • Max. Gripper Opening | 97mm |
| • Grip Force, nominal | 4,448N |
| • Wrist Torque | 205Nm |
| • Wrist Rotate Continuous | 6-35rpm |
| • Max. Reach | 1,532mm |
| • Depth Rating | 6,500msw |